

RIGIDIAL Index table

All illustrations in the middle of a dwell period



Cam gears

Modules of automation

Hersteller:

MIKSCH GmbH
Reutlinger Str. 5
73037 Göppingen
Germany

Tel.: +49-(0)7161/6724-0
Fax: +49-(0)7161/14429
E-Mail: miksch@miksch.eu
www.miksch.eu

Die
MIKSCH GmbH
wird vertreten durch die geschäftsführenden Gesellschafter:
Heribert Miksch und
Dipl.-Ing. Alexander Miksch, MBA

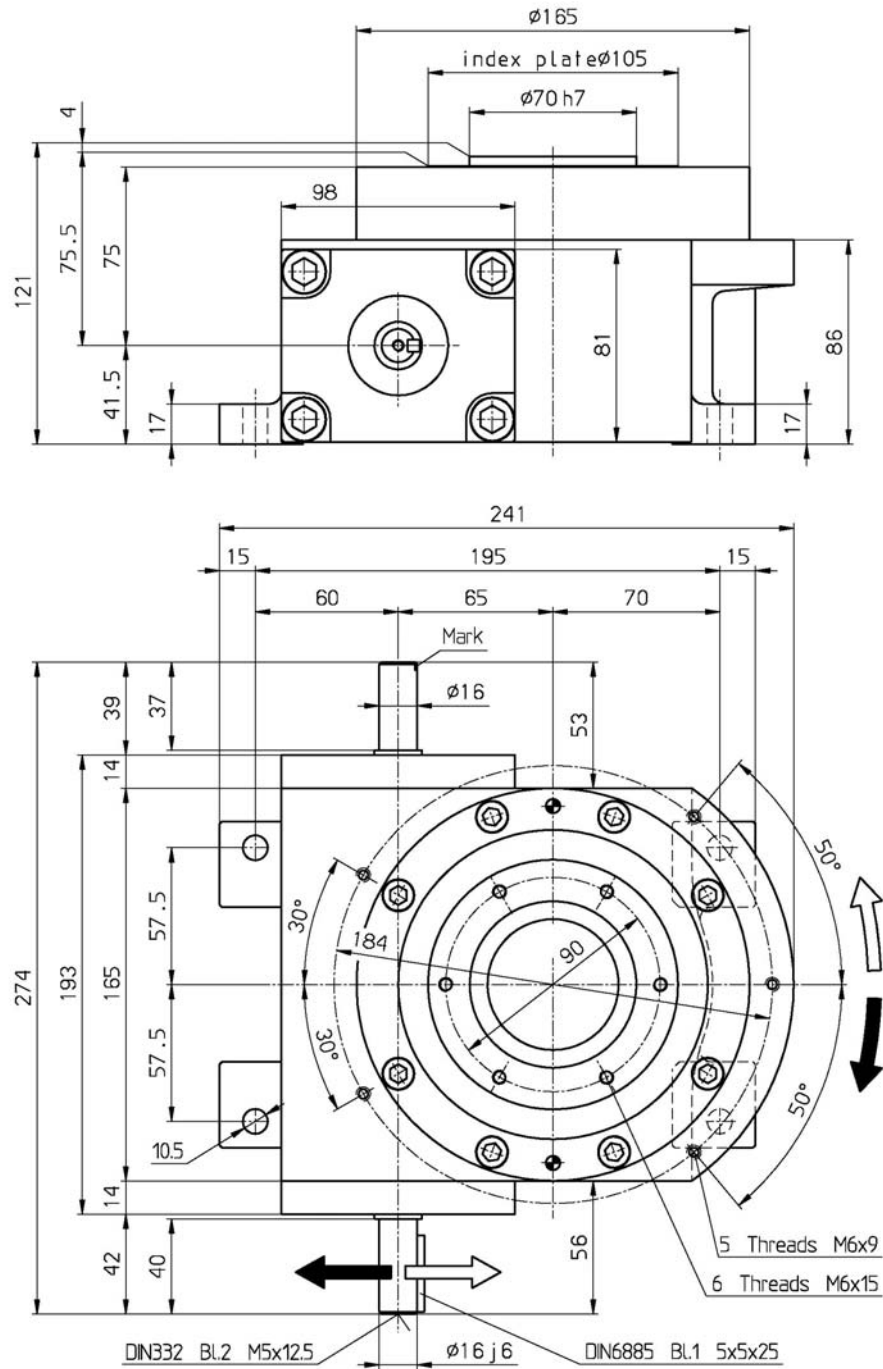
© 2011 MIKSCH GmbH, 73037 Göppingen

Inhaltsverzeichnis

1	RIGIDIAL Index Table RIG04	2
2	RIGIDIAL Index table RIG06.....	4
3	RIGIDIAL Index table RIG09.....	6

1 RIGIDIAL Index Table RIG04

all illustrations in the middle of a dwell period

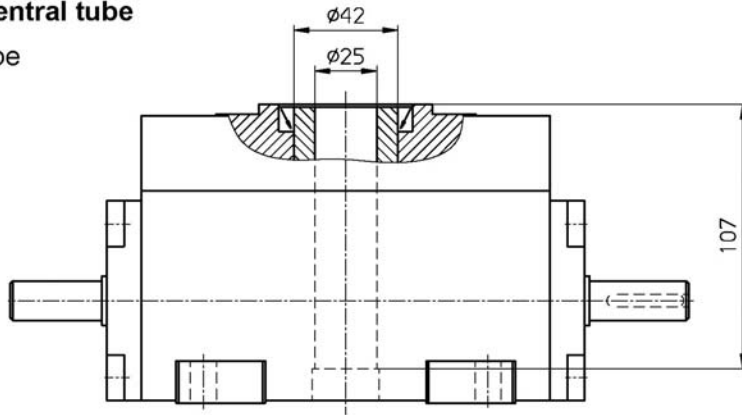


The shaft $\phi 16 \times 37$ is to be used only as a support for the limit switch operating cams.
Direction of standard rotation as shown by arrows (right hand cam)

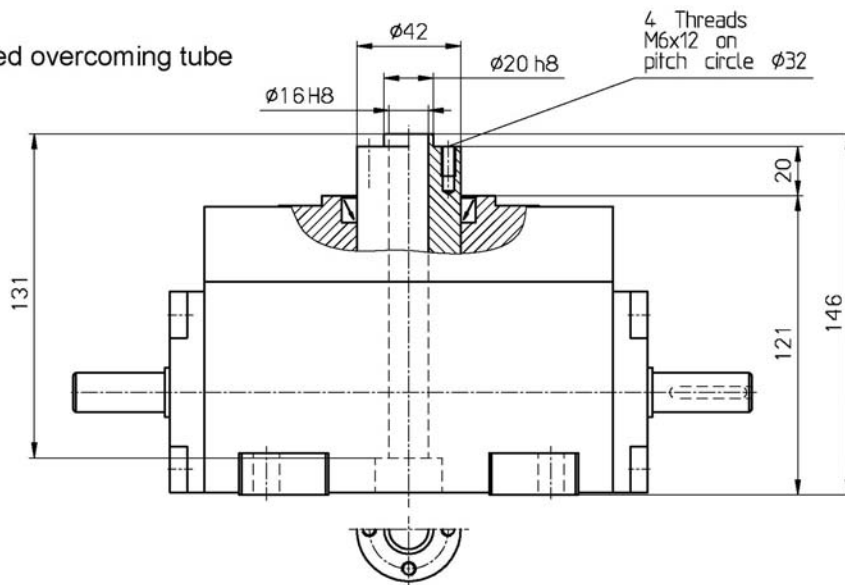
Optional versions

Versions of central tube

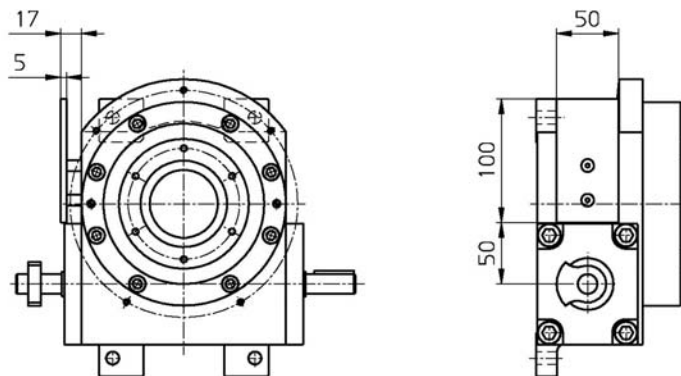
VCT fixed tube



VCP fixed overcoming tube

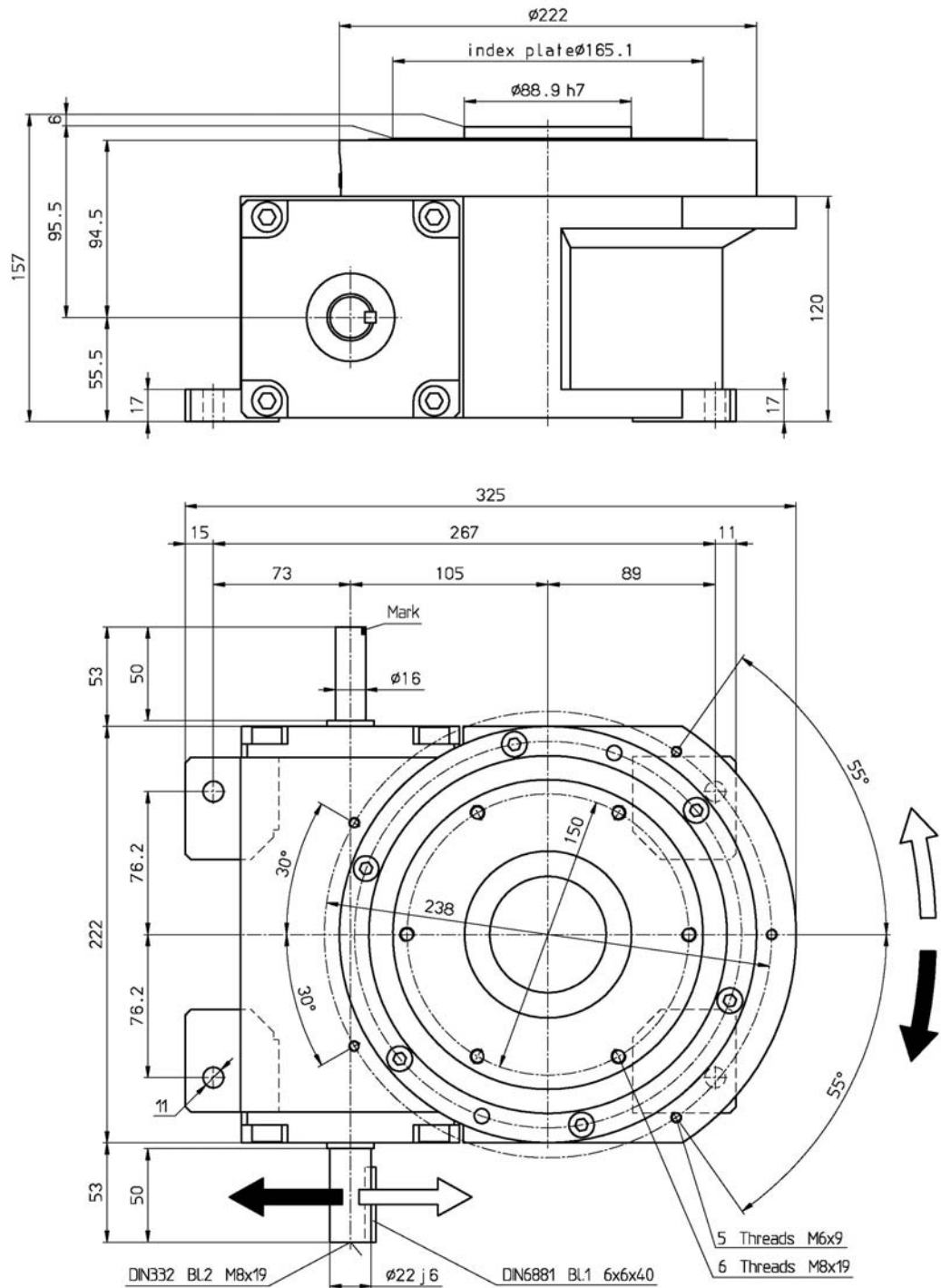


Attachment for microswitch comprising assembly plate and cam for microswitch



2 RIGIDIAL Index table RIG06

all illustrations in the middle of a dwell period

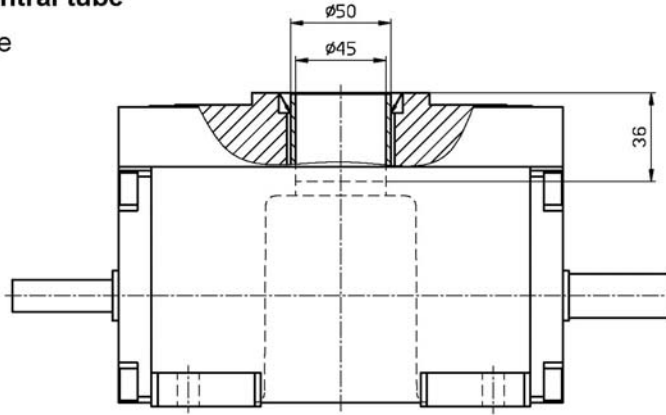


The shaft $\phi 16 \times 50$ is to be used only as a support for the limit switch operating cams. Direction of standard rotation as shown by arrows (right hand cam).

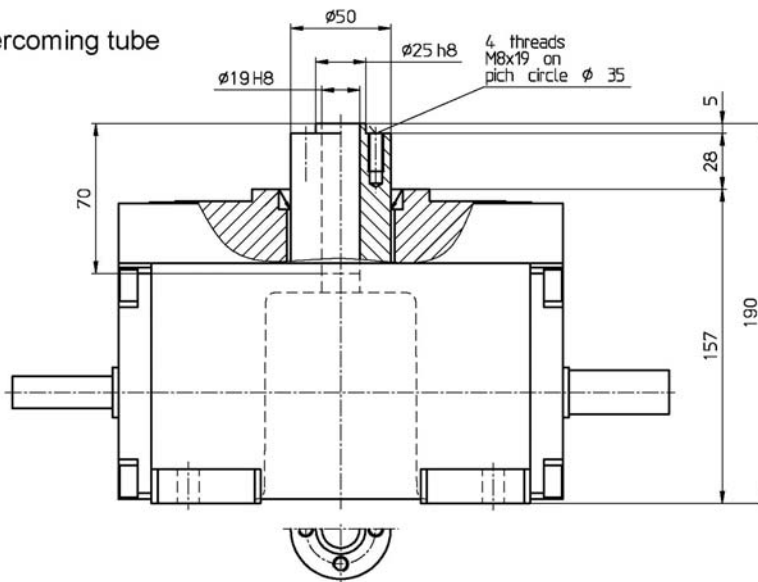
Optional versions

Versions of central tube

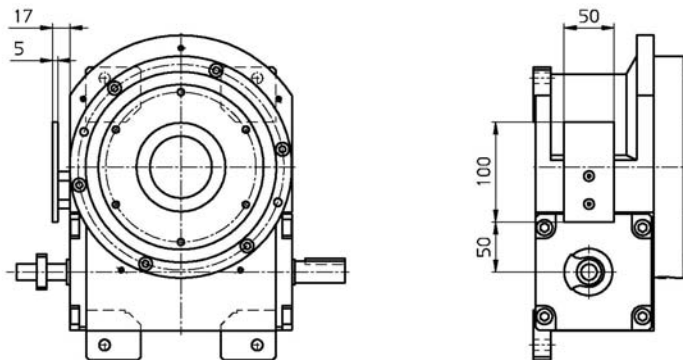
VCT fixed tube



VCP fixed overcoming tube

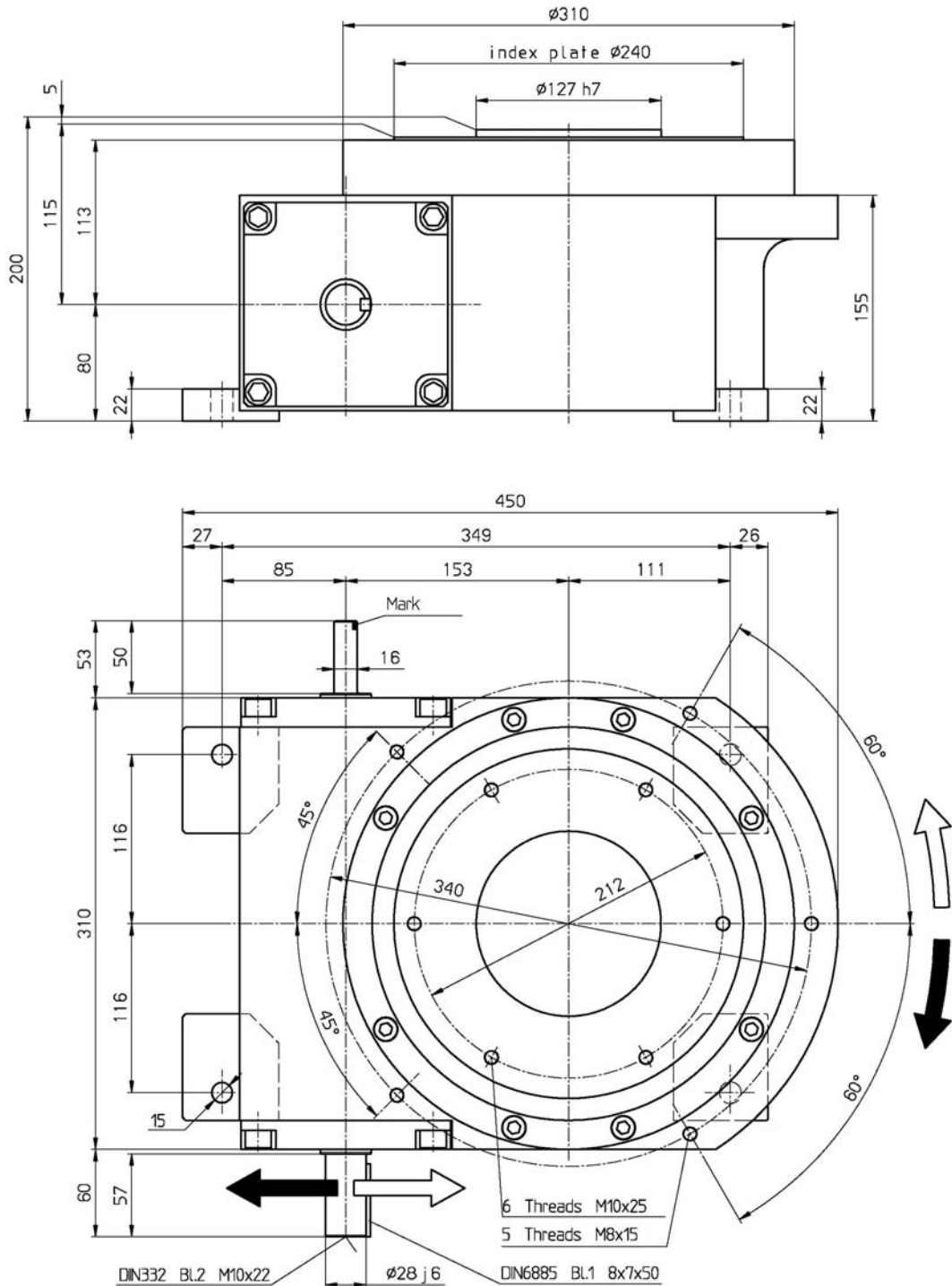


Attachment for microswitch comprising assembly plate and cam for microswitch



3 RIGIDIAL Index table RIG09

all illustrations in the middle of a dwell period

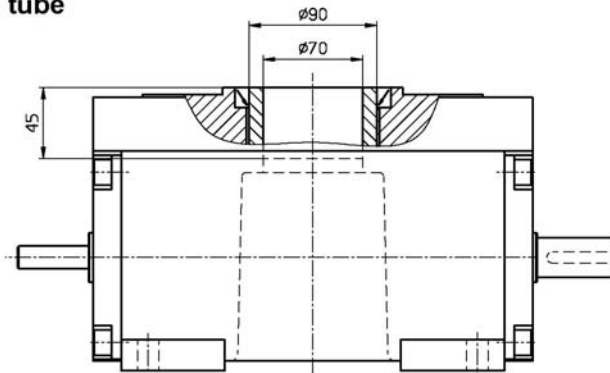


The shaft $\phi 16 \times 50$ is to be used only as a support for the limit switch operating cams.
Direction of standard rotation as shown by arrows (right hand cam).

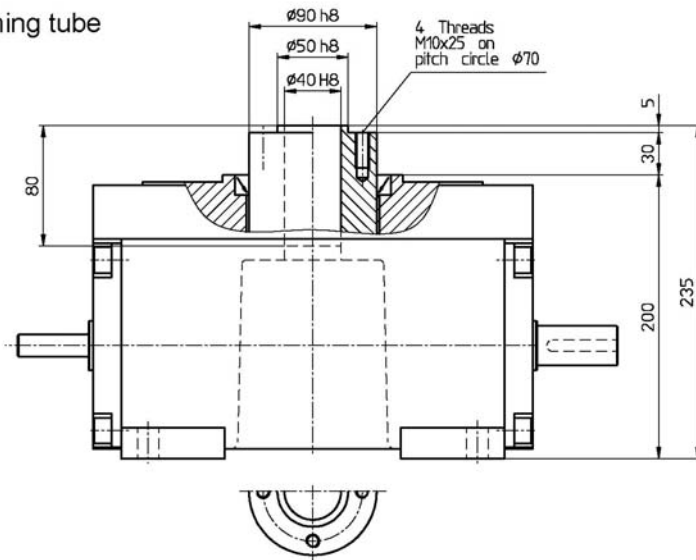
Optional versions

Versions of central tube

VCT fixed tube



VCP fixed overcoming tube



Attachment for microswitch comprising assembly plate and cam for microswitch

